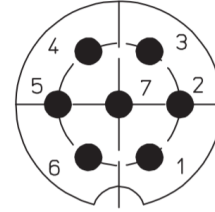
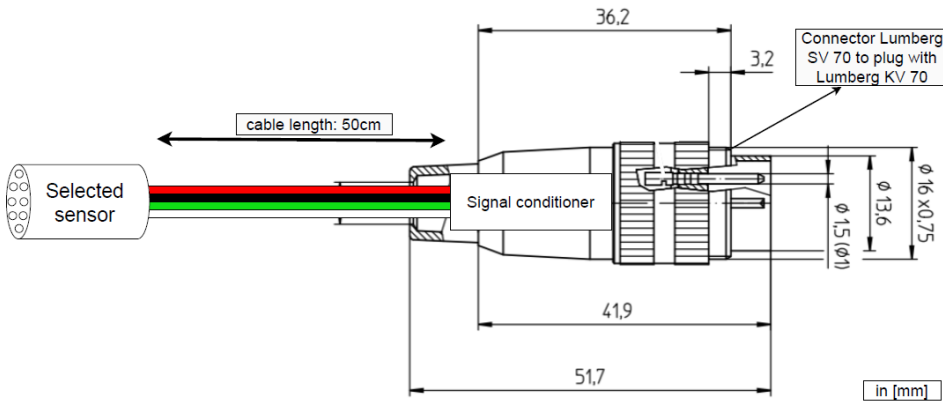


Signal conditioner

Up to 10V amplification

SC_MP_24_XX



Pin configuration	
Pin	Function
Casing	Shield
1	Vout+
2	GND
3	GND
4	Vin+
5	NC
6	NC
7	NC

MODEL DEFINITION

SC: Signal conditioners
MP: Miniaturized pressure
24: Maximum input voltage in volt
XX: Maximum output voltage in volt (05, 10)

OVERVIEW

- Can be used with our sensor
- Power supply up to 24V
- Output signal up to 10V

PRODUCT SPECIFICATION

Characteristics	Electrical characteristics	
	SC_MP_24_05	SC_MP_24_10
PART Number	SC_MP_24_05	SC_MP_24_10
Supply Voltage	12-24 VDC	12-24 VDC
Output Voltage	1-5 VDC	2-10 VDC
Bandwidth	0-100 kHz	0-100 kHz
Operating temperature	85 °C	85 °C
Maximum current	20mA	20mA
Output impedance (1KHz)	249Ω	499Ω

Remark:

- The selected sensors are available on our website. [See our tutorial on our website.](#)

CONTACT

Operational Headquarter: Rue des Ormes 151, B-4800 Lambermont, BELGIUM

TEL: +32 87 70 96 69

Email: sales@sensorade.be